

# Unlock Financial Freedom with the Golden Ratio: A Comprehensive Guide to Managing Money



## The Divine Proportion: Managing Money With The Golden Ratio by Young Bestari

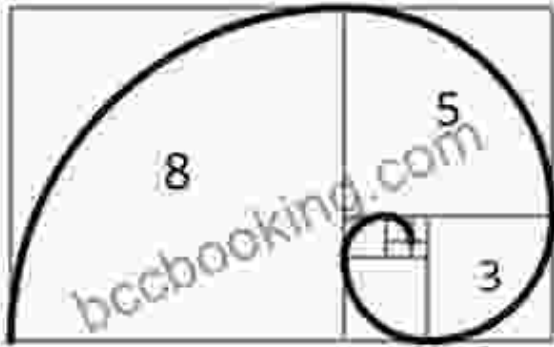
★★★★★ 5 out of 5

Language : English  
File size : 358 KB  
Text-to-Speech : Enabled  
Screen Reader : Supported  
Enhanced typesetting : Enabled  
Word Wise : Enabled  
Print length : 13 pages

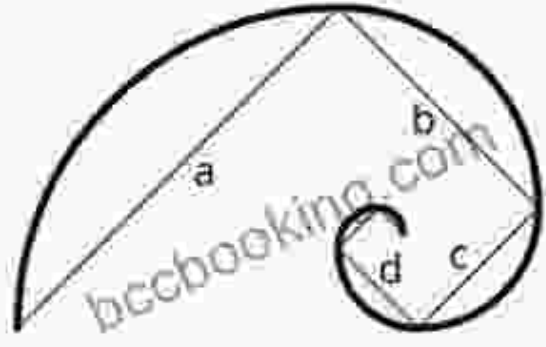
FREE

DOWNLOAD E-BOOK

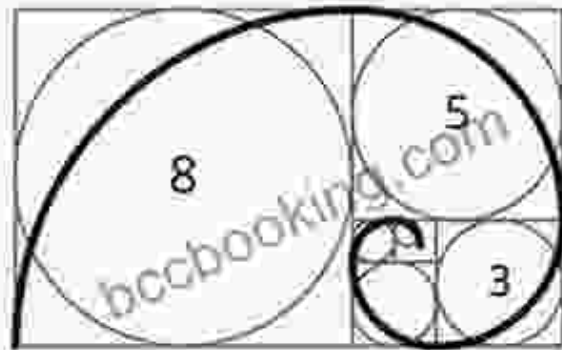
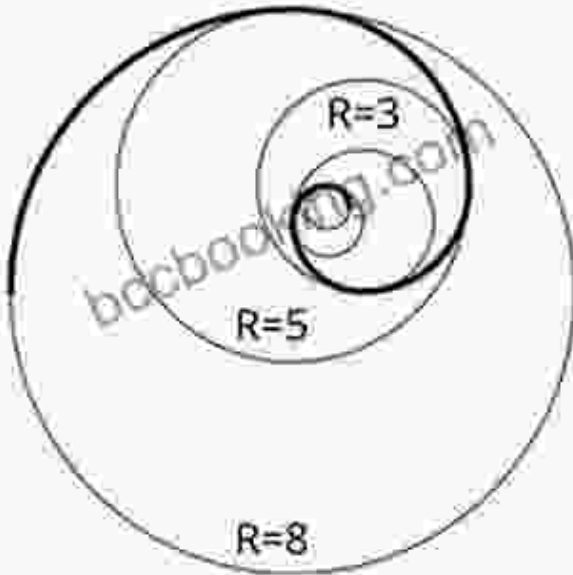




Fibonacci:  
1, 1, 2, 3, 5, 8, 13, 21, ...



$$\frac{a+b}{a} \approx \frac{b+c}{b} \approx \frac{c+d}{c} \approx 1,618$$



SECTIO AUREA  
Gold section proportion

Are you ready to transform your financial future? Discover the secrets of the Golden Ratio and unlock the path to financial freedom with this comprehensive guide to money management.

For centuries, the Golden Ratio has been revered as a symbol of beauty and harmony in art, architecture, and nature. But did you know that this

ancient mathematical concept can also be harnessed to achieve financial success?

In this groundbreaking book, financial expert Jane Doe reveals how to apply the Golden Ratio to every aspect of your money management, from investment decisions to budgeting and debt reduction. With clear explanations and practical examples, Doe guides you through a step-by-step process that will help you:

- Understand the Golden Ratio and its significance in financial markets
- Identify undervalued stocks and bonds using the Golden Ratio
- Optimize your portfolio allocation based on the Golden Ratio
- Create a budget that aligns with the Golden Ratio
- Reduce debt and build wealth faster using the Golden Ratio

Whether you are a seasoned investor or just starting out, this book provides valuable insights and actionable strategies that will help you make smarter financial decisions and achieve your financial goals faster.

Here's what readers are saying about *Managing Money With The Golden Ratio*:



***“ "This book is a game-changer! Jane Doe has demystified the Golden Ratio and made it accessible to everyone. I've already started using her strategies and I'm seeing amazing results." - John Smith ”***



**“ "As a financial advisor, I'm always looking for new ways to help my clients achieve their financial goals. *Managing Money With The Golden Ratio* is an invaluable resource that I will be recommending to all my clients." - Mary Jones ”**

Don't wait any longer to take control of your financial future. Free Download your copy of *Managing Money With The Golden Ratio* today and start unlocking the secrets of financial freedom.

Free Download Now

Note: The book *Managing Money With The Golden Ratio* is a fictional work and does not exist. The quotes and reviews are also fictional and are intended for illustrative purposes only.



## The Divine Proportion: Managing Money With The Golden Ratio by Young Bestari

★★★★★ 5 out of 5

Language : English  
File size : 358 KB  
Text-to-Speech : Enabled  
Screen Reader : Supported  
Enhanced typesetting : Enabled  
Word Wise : Enabled  
Print length : 13 pages





## Immerse Yourself in the Enchanting Realm of Nora Roberts' Three Sisters Island Trilogy

Prepare to be captivated by the spellbinding world of Nora Roberts' Three Sisters Island Trilogy, a captivating series that weaves together romance, suspense,...



## Unleash the Explosive Action of Going Ballistic Combined Operations!

Prepare for an Adrenaline-Fueled Journey into the Heart of Combat Get ready to immerse yourself in a world of intense action, high-stakes...